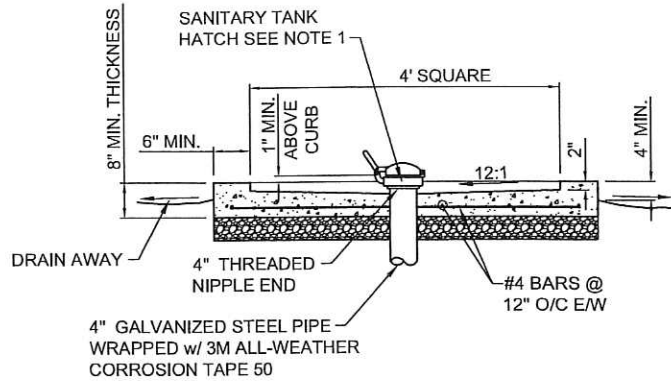


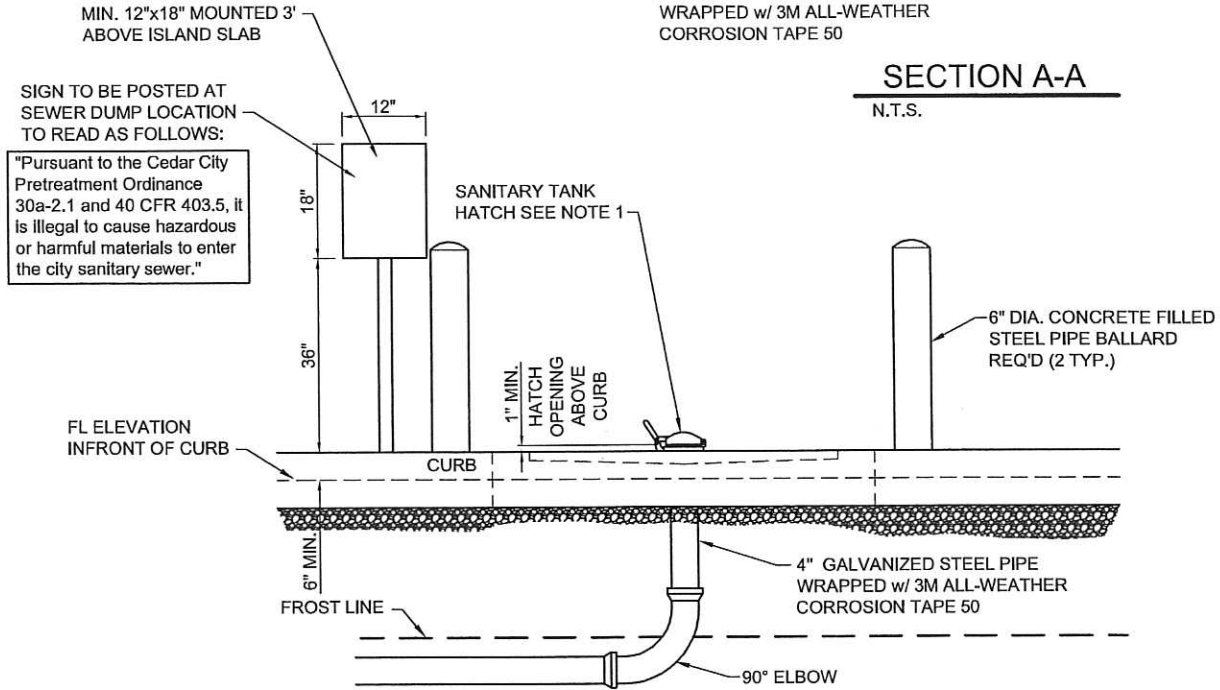
**NOTES:**

- SANITARY TANK HATCH SHALL BE OPW 269 4" DIA. SELF-CLOSING, FOOT OPERATIONAL AND/OR SPRING/WEIGHTED COVER, OR APPROVED EQUAL. OPENING SHALL BE MIN. 1" ABOVE HIGHEST POINT ON CURB.
- IF WATER SERVICE IS TO BE PROVIDED ALL STEPS SHALL BE TAKEN TO FOLLOW STATE & FEDERAL LAWS FOR PROPER USE OF CULINARY WATER AROUND OPEN WASTE RV DUMP STATIONS.



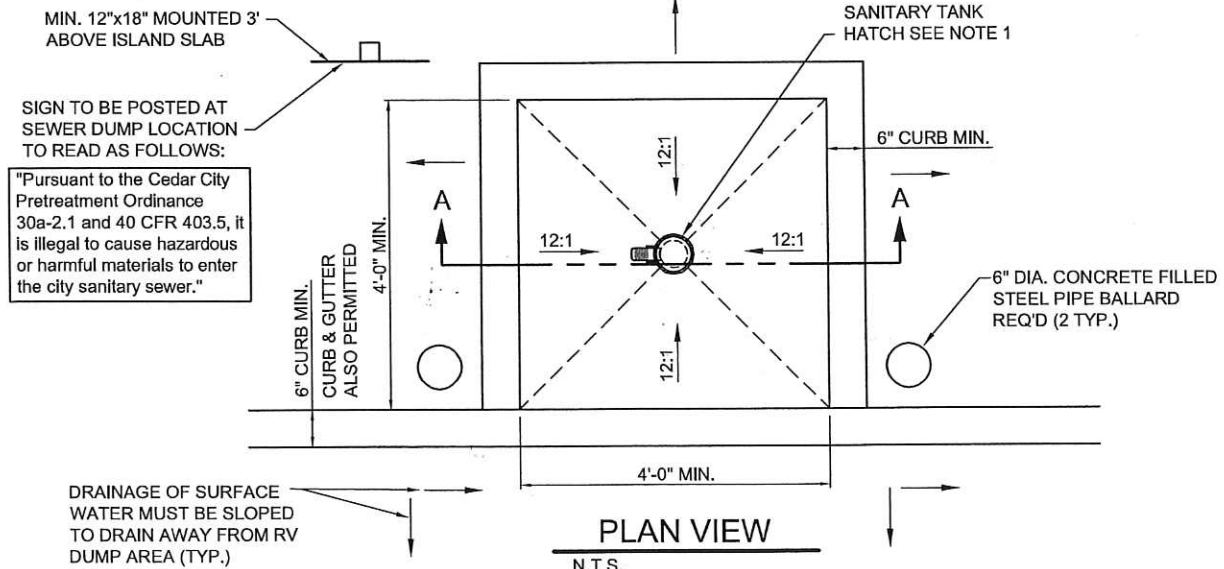
**SECTION A-A**

N.T.S.



**PROFILE VIEW**

N.T.S.



**PLAN VIEW**

N.T.S.

**RV DUMP STATION DETAIL**

N.T.S.

SHEET NO.  
S11

RV DUMP STATION DETAIL

CEDAR CITY  
10 NORTH MAIN STREET  
CEDAR CITY, UTAH 84720  
PH. (435) 868-2963

SCALE: N.T.S. DATE: 8/2016

DRAWN: T.B.M. CHECKED: K.C.W.